

1. SPARE PARTS

1.1 Basic parts

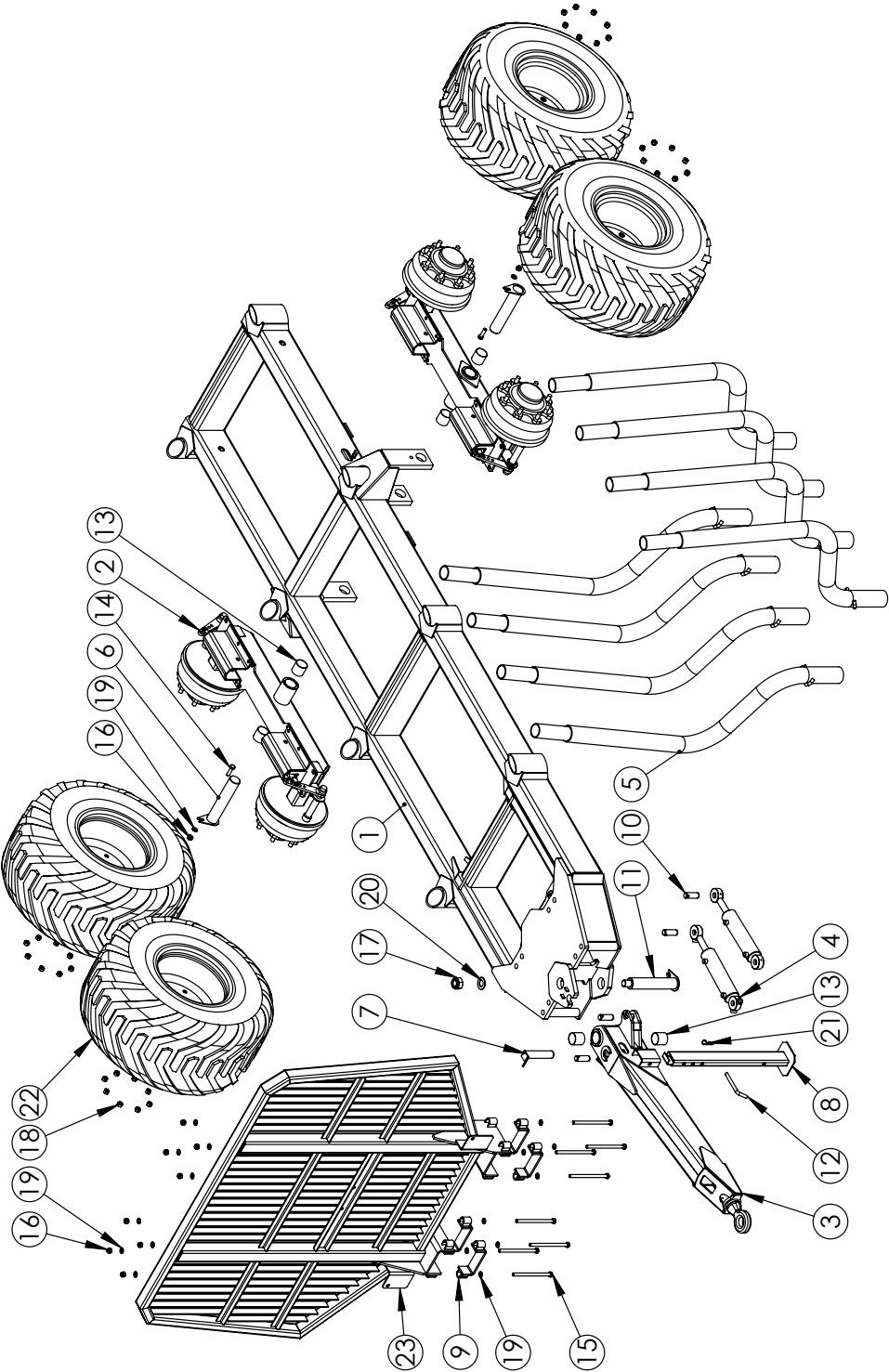


Figure 11. Spare parts of Palms 13D forest trailer

Pos	Qty	Part №	Part name
1	1	12D.01.00.00	Chassis
2	2	10.05.00.00	Boogie
3	1	9D.02.00.00D	Drawbar
4	1	70-32-200	Drawbar turning cylinder
5	8	112.10.00.00	Bolster
6	2	T-60-315	Shaft of 13D boogie
7	1	tl.00	Locking shaft of drawbar
8	1	Park.I.L	Parking leg
9	4	8.07.00.00	Clamp
10	4	T-30-50	Shaft of cylinder
11	1	TK-60-292	Shaft of drawbar
12	1	tjs.01	Locking shaft of parking leg
13	6	L11FB0926060	Bronze slide bearing 60 mm
14	2	M16x55b	Bolt M16 x 55 DIN 933
15	8	M16x240b	Hex head bolt M16x240 DIN 931
16	10	M16n	Nut M16 DIN 985
17	1	M36n	Nut M36 DIN 985
18	32	ADR nut	Wheel nut
19	18	M16w	Washer 16 DIN 125
20	1	M30w	Washer 30 DIN 125
21	1	M16w	Washer 16 DIN 125
22	4	wheel	wheel
23	1	122.04.02.00	13D safety grill

Table 4. Spare parts list of Palms 13D forest trailer