

1. SPARE PARTS

1.1 Basic parts

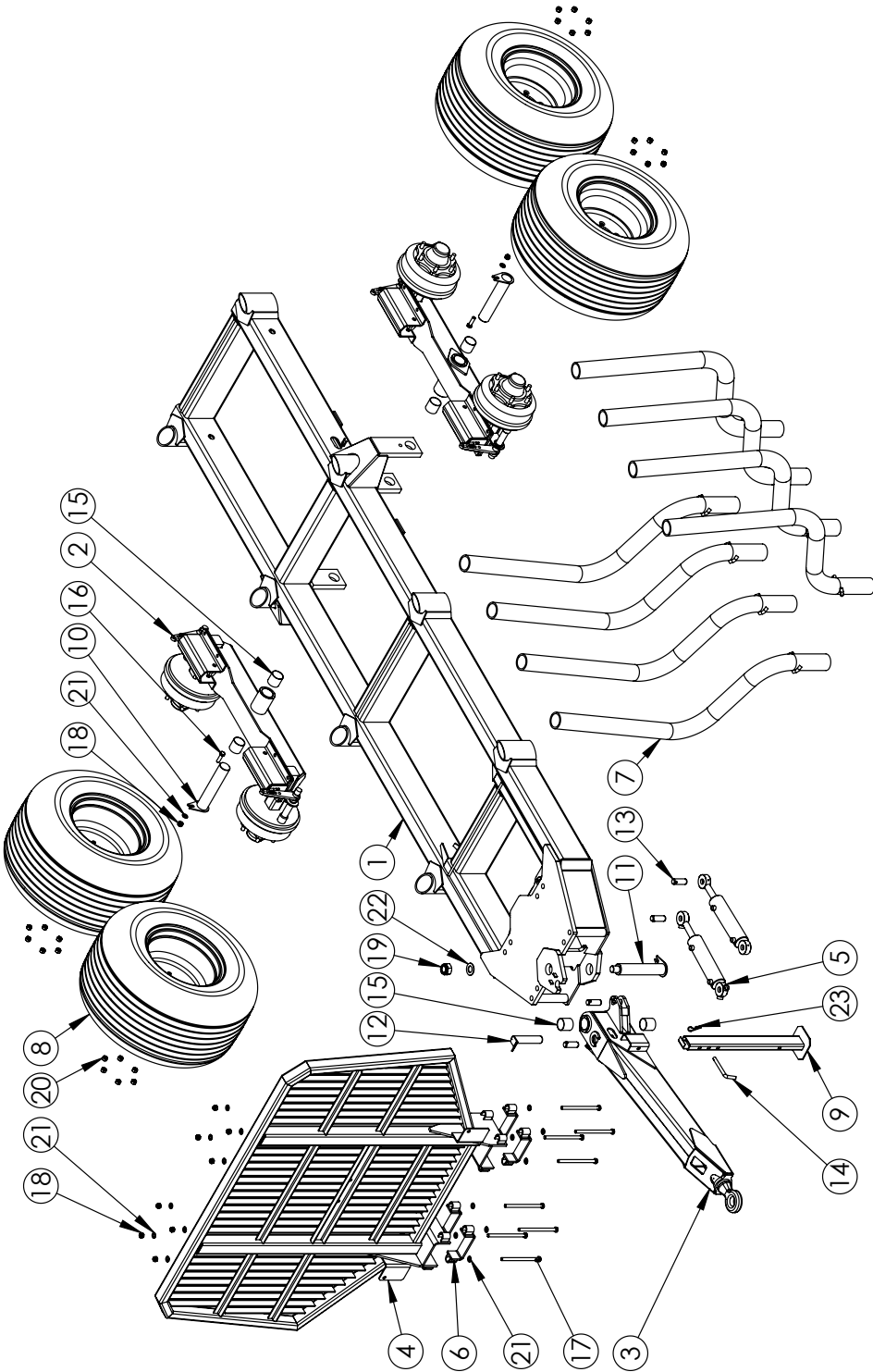


Figure 11. Spare parts of Palms 12D forest trailer

Pos	Qty	Part №	Part name
1	1	12D.01.00.00	Chassis
2	2	BAL60-70-995.00.00	Boogie
3	1	9D.02.00.00D	Drawbar
4	1	112.04.02.00	12D safety grill
5	2	70-32-200	Drawbar turning cylinder
6	4	8.07.00.00	Shaft of 13D boogie
7	8	112.10.00.00	Bolster
8	4	**	wheel
9	1	Park.I.L	Parking leg
10	2	TK-60-292	Shaft of boogie
11	1	T-60-315	Shaft of drawbar
12	1	tl.00	Locking shaft of drawbar
13	4	T-30-89	Drawbar cylinder's shaft
14	1	tjs.01	Locking pin of support leg
15	6	L11FB0926060	Bronze slide bearing 60x60
16	2	M16x55b	Bolt M16 x 55 DIN 933
17	8	M16x240b	Bolt M16 x 240 DIN 933
18	10	M16n	Nut M16 DIN 985
19	1	M36n	Nut M36 DIN 985
20	24	**	Wheel nut
21	18	M16w	Washer 16 DIN 125
22	1	M30w	Washer 30 DIN 125
23	1	pin	Stopper pin

**Table 4.** Spare parts list of Palms 12D forest trailer