

SPARE PARTS

1.1 Basic parts

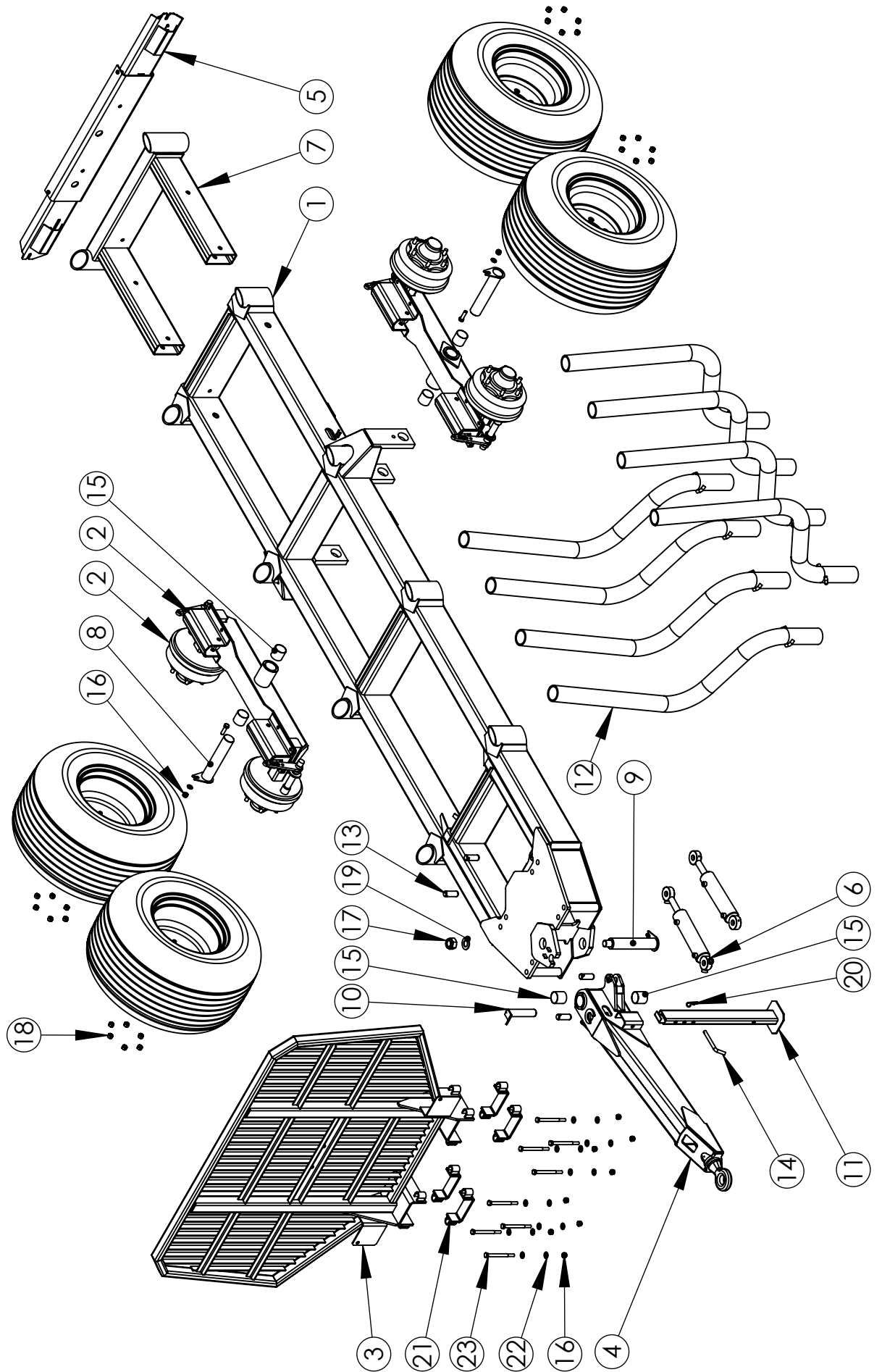


Figure 11. Spare parts of Palms 10D forest trailer

| Pos | Qty | Part № | Part name |
|------------|------------|--------------------|---------------------------------|
| 1 | 1 | 9D.01.00.00 | Chassis |
| 2 | 2 | BAL60-70-995.00.00 | Boogie |
| 3 | 1 | 92.04.02.00 | 10D safety grill |
| 4 | 1 | 9D.02.00.00D | Drawbar |
| 5 | 1 | TT3.00.00 | Tail lights |
| 6 | 2 | 70-32-200 | Drawbar turning cylinder |
| 7 | 1 | 92.06.00.00 | Frame extension |
| 8 | 2 | T-60-302 | Shaft of boogie |
| 9 | 1 | T-60-242 | Shaft of drawbar |
| 10 | 1 | tl.00 | Locking shaft of drawbar |
| 11 | 1 | Park.I.L | Parking leg |
| 12 | 8 | 112.10.00.00 | Bolster |
| 13 | 4 | T-30-84 | Drawbar cylinder's shaft |
| 14 | 1 | tjs.01 | Locking pin of support leg |
| 15 | 6 | puks 60x60 | Bronze slide bearing 60x60 |
| 16 | 10 | M16n | M16 nut DIN 985 |
| 17 | 1 | M36n | M36 DIN 985 |
| 18 | 24 | Wheel nut | Wheel nut |
| 19 | 1 | M30w | M30 washer DIN 125 |
| 20 | 1 | s.p. | Stopper pin |
| 21 | 4 | 8.07.00.00 | Clamp |
| 22 | 16 | M18w | Washer 18 DIN 125 |
| 23 | 8 | M16x240b | Hex head bolt M16 x 240 DIN 931 |

Table 4. Spare parts list of Palms 10D forest trailer